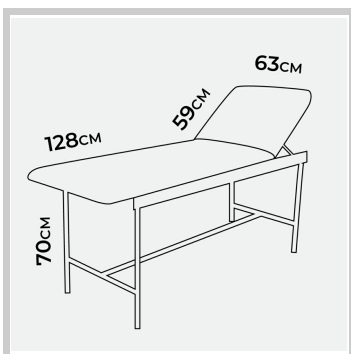


EXAMINATION COUCH BLACK - EPOXY COATED STEEL (QUICK ASSEMBLING), BLACK

Ref. OSA003E_N



07/04/2026 02:57:07 – For information purposes only, can be subject to change

EXAMINATION COUCH BLACK - EPOXY COATED STEEL(QUICK ASSEMBLING), BLACK



Ref. OSA003E_N

Excellent value for money

Description

- Structure in square tube (50 x 30 mm) in white epoxy lacquered steel
- Adjustment of the headrest up to +75 ° by 2 self-locking mechanical racks
- Imitation leather mattresses
- Unique black color
- Foam-padded headrest and seat, 6 cm thick and very high density (30 kg / m3) and covered with washable plasticized fabric, fireproof (fire resistance classification: M1)
- Dimension: 190 × 62 × 70 cm
- Maximum load: 150 kg
- Removable roller holder positionable at the head or feet

Stainless steel or Epoxy: what difference?

Epoxy: the economic choice. The steel is simply coated with a resin to delay corrosion.

Stainless steel: it is steel modified to become completely STAINLESS steel, it does not rust.

And did you know?

Today, more than 90% of stainless steel is made from recycled steel, it's good for the environment!

EXAMINATION COUCH BLACK - EPOXY COATED STEEL(QUICK ASSEMBLING), BLACK



Ref. OSA003E_N

Features

CE Marking	CE	Medical device	Class I
Bar code	3661040168135	HS Code	94029000
Warranty (months)	36	Country	China
DIMENSIONS AND WEIGHT			
Packed unit / Width (cm)	16	Bare Unit / Width (cm)	63
Packed unit / Height (cm)	67	Bare Unit / Height (cm)	70
Packed unit / Length (cm)	190	Bare Unit / Length (cm)	190
Packed unit / Weight	28	Bare Unit / Weight (kg)	25
SPECIFIC STORAGE CONDITIONS			
Minimum temperature	NA	Max temperature	NA
Minimum humidity	NA	Maximum humidity	NA
OTHER FEATURES			
Packed unit / Quantity	1		

📅 07/04/2026 02:57:07 – For information purposes only, can be subject to change